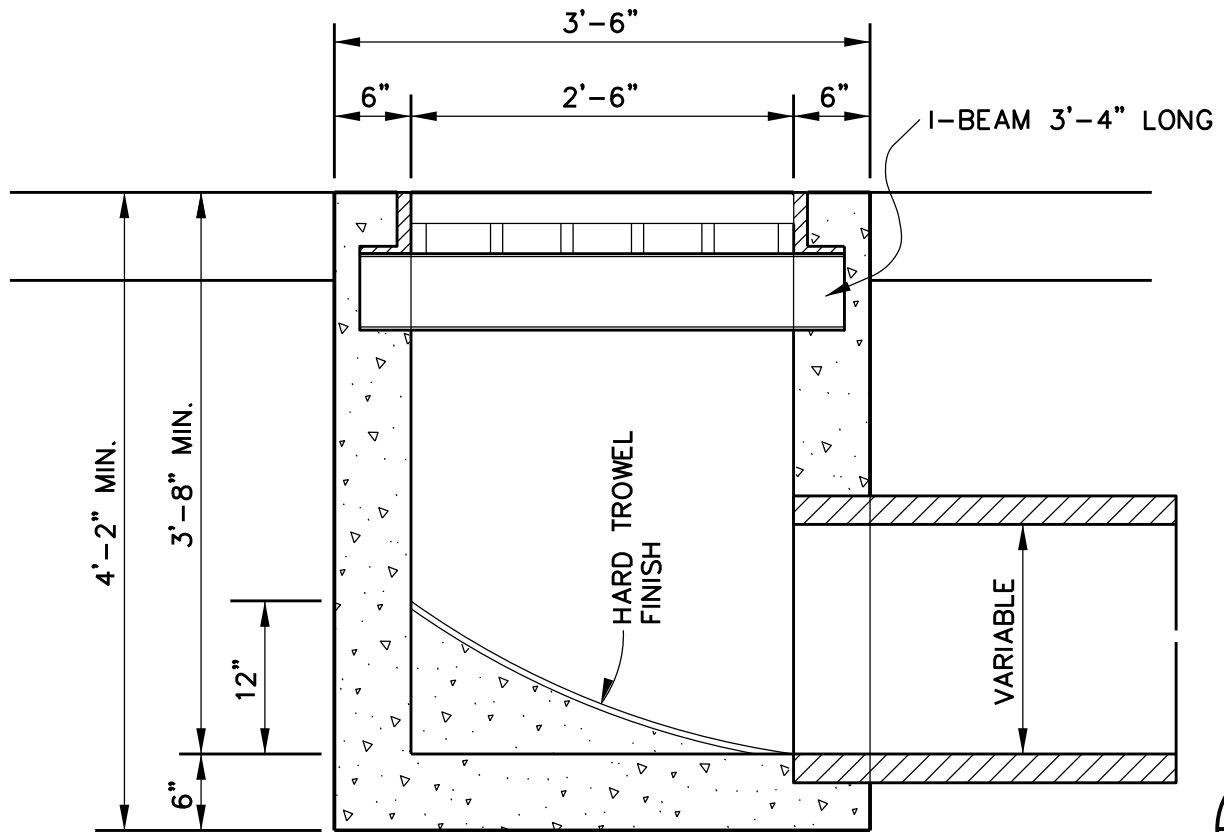


PLAN VIEW



SECTION B-B

1
2

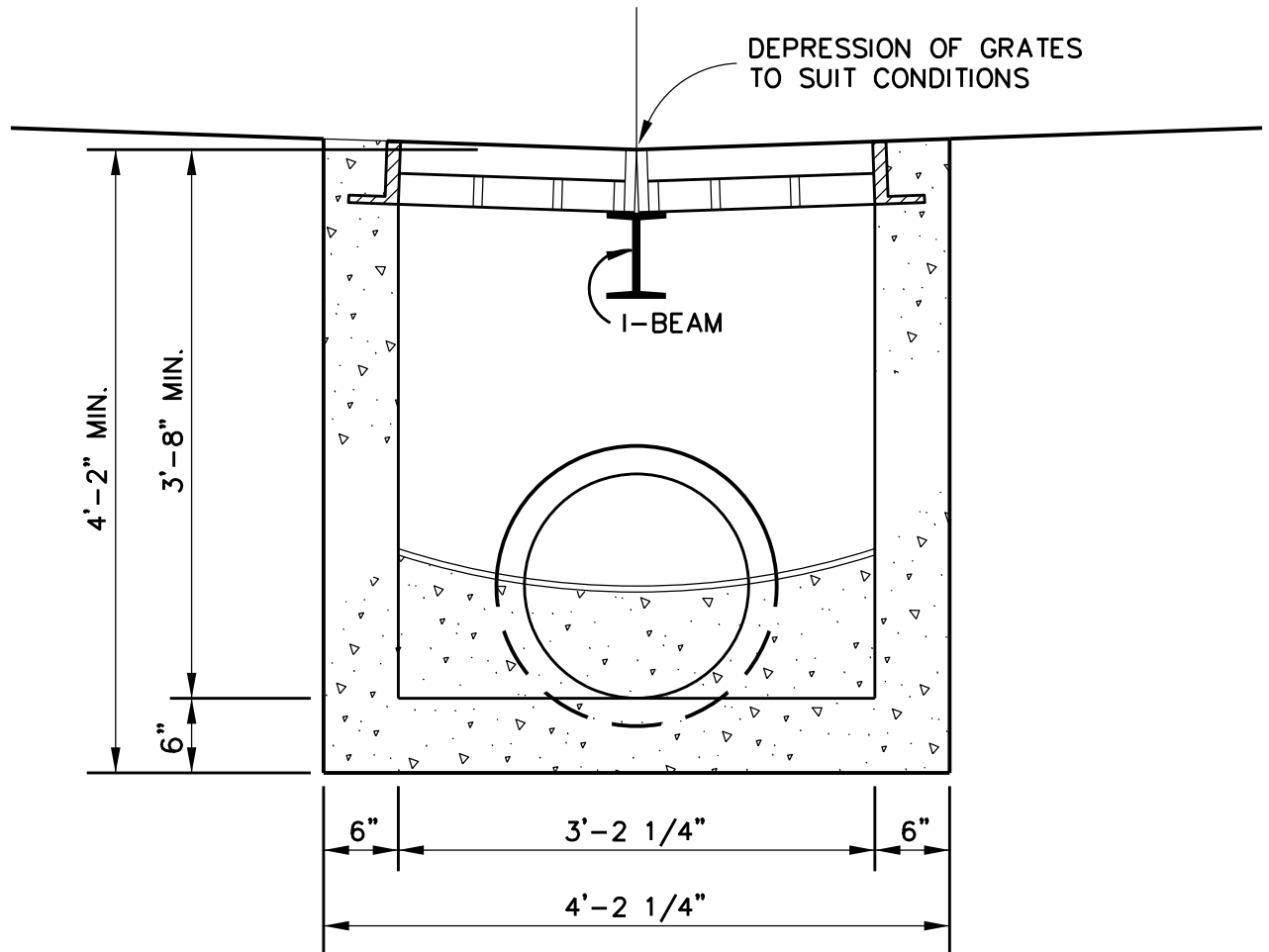
Revision Date: _____

Scale : N/A Date : 06/01/05
 Design :
 Drawn : JMK
 Dwg. File : GRA_001.DWG
 Project No. : STANDARD-DETAILS



TWO GRATE INLET

PAGE
1



SECTION A-A

1. GRATE SHALL BE BASS & HAYS 814 FOR HS20 LOADING. APPROVED EQUAL GRATES MAY BE USED WITH EQUIVALENT AREA OPENING.
2. IN AREAS WHERE CURB INLETS WILL NOT FUNCTION OR GRADES WARRANT, GRATE INLETS CAN BE SUBMITTED FOR APPROVAL.
3. GRATES LARGER THAN TWO GRATE CAN ONLY BE USED ON PRIVATE PROPERTY WHEN PRIVATELY MAINTAINED.

2
2

Revision Date: _____

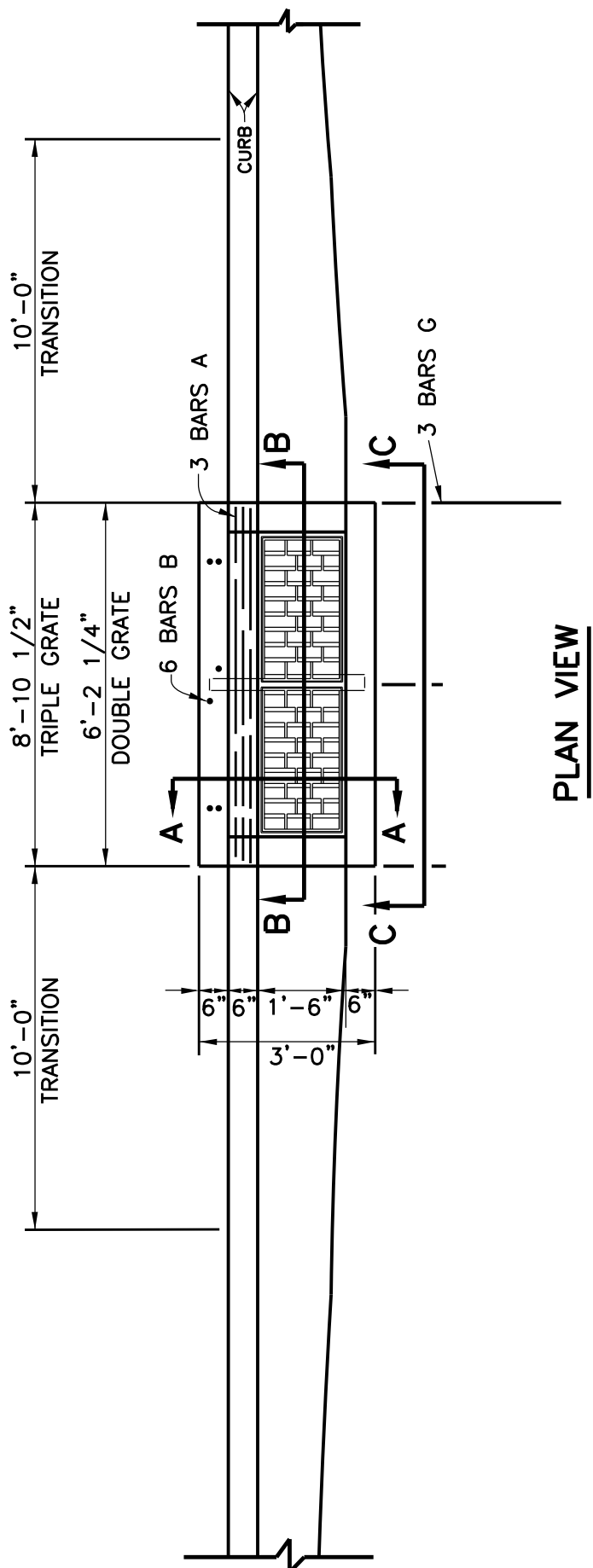
Scale : N/A Date : 06/01/05
 Design :
 Drawn : JMK
 Dwg. File : GRA_001.DWG
 Project No. : STANDARD-DETAILS


GARLAND
 ENGINEERING
STANDARD DETAILS

TWO GRATE INLET

PAGE

2



PLAN VIEW

1
4

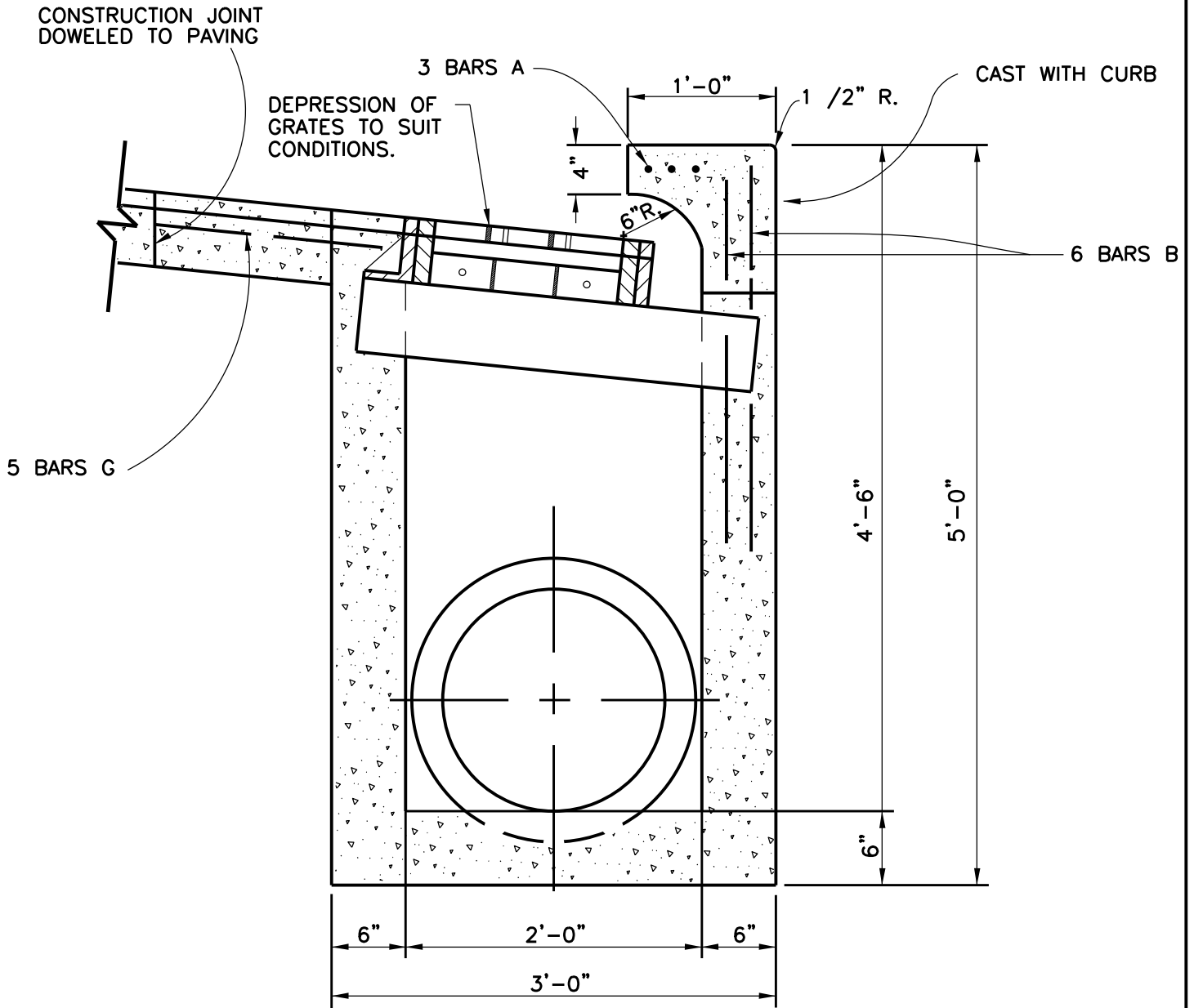
* FOR USE IN ALLEYS ONLY

Revision Date:

Scale : N/A Date : 06/01/05
 Design :
 Drawn : JMK
 Dwg. File : GRA_002.DWG
 Project No. : STANDARD-DETAILS



STORM WATER DETAILS
 COMBINATION GRATE INLETS



SECTION A-A

NOTES:

1. ALL CONCRETE TO BE CLASS "A".
2. CONCRETE FINISH SHALL BE A CLASS "A" HAND FINISH.
3. EXTRA DEPTH INLETS SHALL BE NOTED ON PLANS.
4. MINIMUM COVERAGE FOR REBAR SHALL BE 2".
5. COMBINATION GRATES ARE APPROVED FOR CONSTRUCTION IN ALLEYS ONLY.

* FOR USE IN ALLEYS ONLY

2
4

Revision Date:

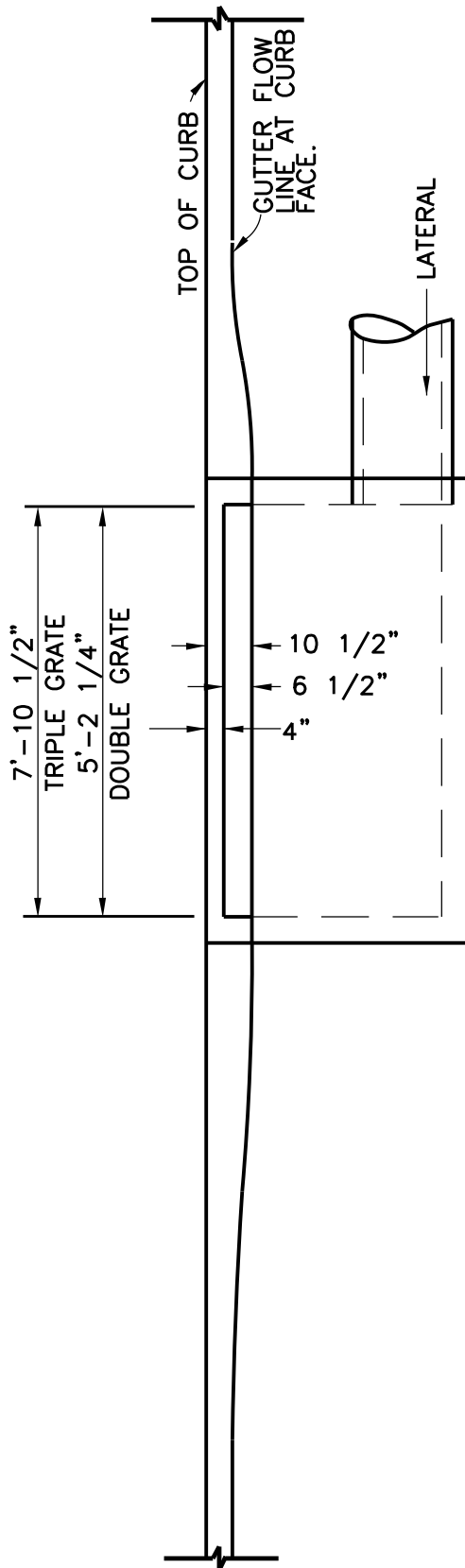
Scale : N/A	Date : 06/01/05
Design :	
Drawn : JMK	
Dwg. File : GRA_002.DWG	
Project No. : STANDARD-DETAILS	



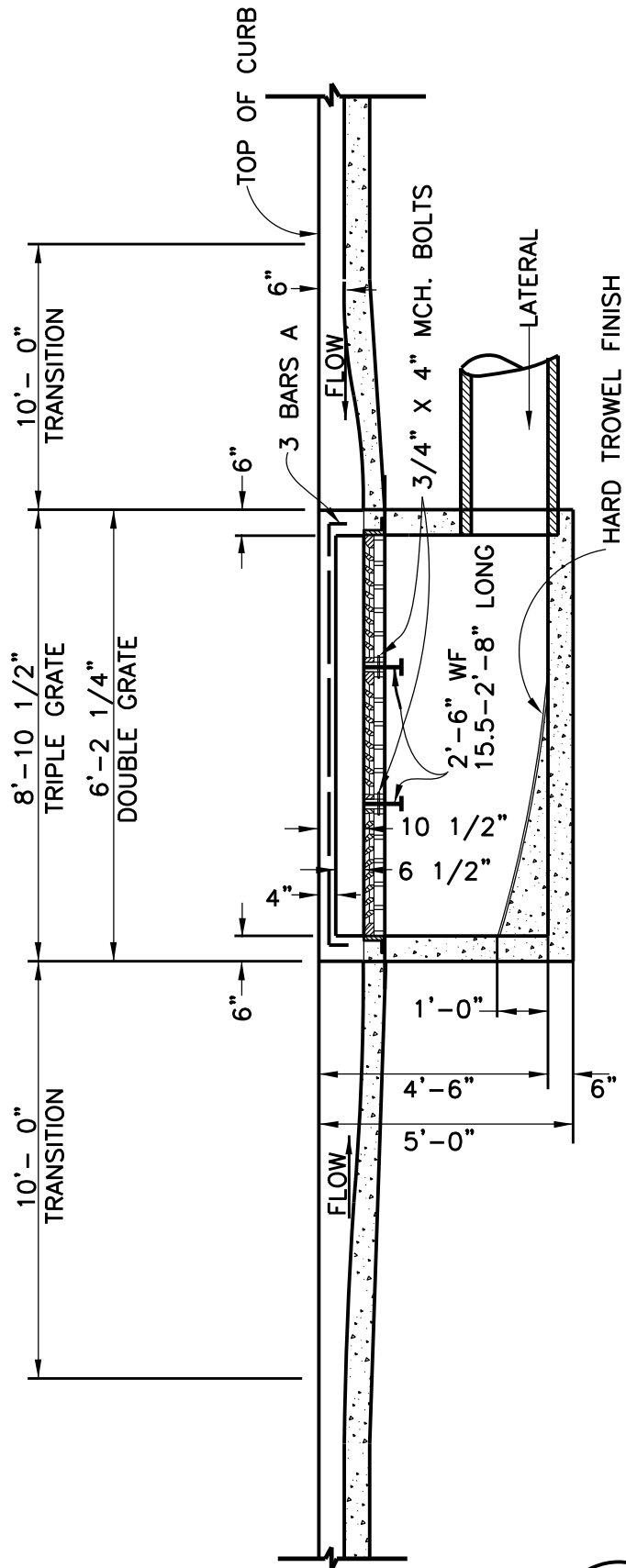
**DRAINAGE DETAILS
COMBINATION GRATE INLETS**

PAGE

4



SECTION C-C



SECTION B-B

* FOR USE IN ALLEYS ONLY

3
4

Revision Date:

Scale : N/A Date : 06/01/05
 Design :
 Drawn : JMK
 Dwg. File : GRA_002.DWG
 Project No. : STANDARD-DETAILS

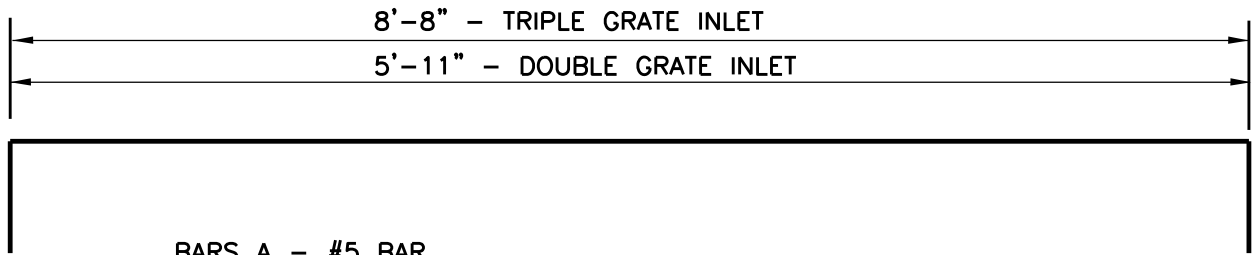


**DRAINAGE DETAILS
 COMBINATION GRATE INLETS**

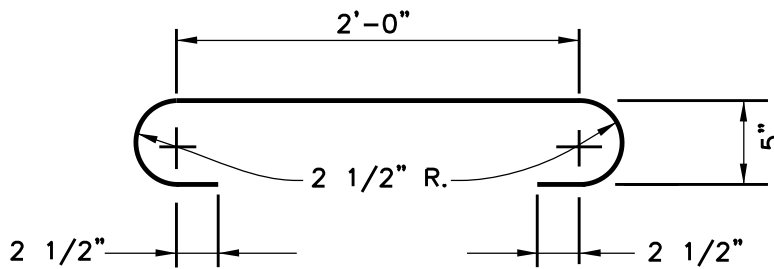
PAGE

5

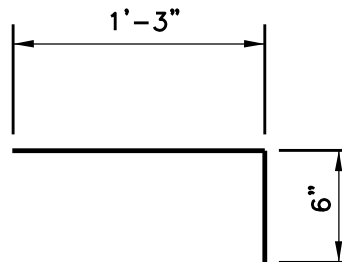
STEEL DETAIL



BARS A - #5 BAR
9'-8" LONG (TRIPLE GRATE INLET)
6'-11" LONG (DOUBLE GRATE INLET),
3 REQUIRED.

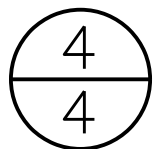


BARS B - #5 BAR, 3'-9" LONG
8 REQUIRED (TRIPLE GRATE INLET)
6 REQUIRED (DOUBLE GRATE INLET)



BARS G - #3 BAR, 1'-3" LONG,
5 REQUIRED (TRIPLE GRATE INLET);
3 REQUIRED (DOUBLE GRATE INLET)

NOTE:
1. REBAR SHALL BE A.S.T.M. A615 - GRADE 60.
* FOR USE IN ALLEYS ONLY



Revision Date:	
Scale : N/A	Date : 06/01/05
Design :	
Drawn : JMK	
Dwg. File : GRA_002.DWG	
Project No. : STANDARD-DETAILS	



**DRAINAGE DETAILS
COMBINATION GRATE INLETS
STEEL DETAIL**